



Datasheet

T8 LED Tube

General:95-105LM/W Permium:120-130LM/W Deluxe:140-150LM/W



SAACE ✓
RoHS



• Product Features

- > Universal input voltage AC90-277V
- > VDE/TUV/CE/ROHS approval
- > Up to 60% energy saving
- > 80% Lumen maintenance @6000h
- > 200,000 Switching cycle before failure
- > Max.6SDCM color consistency in level
- > Patent designed heating sink system
- > 180 degree rotatable end cap with scale
- > Various kinds colorful end caps

• Options

- > Lumen efficacy: General:95-105LM/W,
Premium:120-130LM/W
Deluxe:140-150LM/W
- > Cap ring color:Various color
- > PC cover:Clear or frosted
- > Pink color for meat

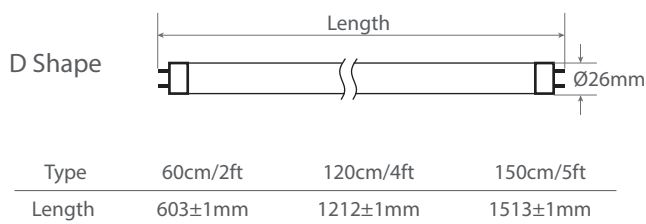
• Applications

- > Industrial Lighting: Factory, Warehouse, etc
- > Commerical Lighting: Office, Super-market
Hotel, Exhibition hall etc
- > Public Lighting: Residence, Library, Hosptial
School,MTR station, Bus station,
Train station,Airport ,etc

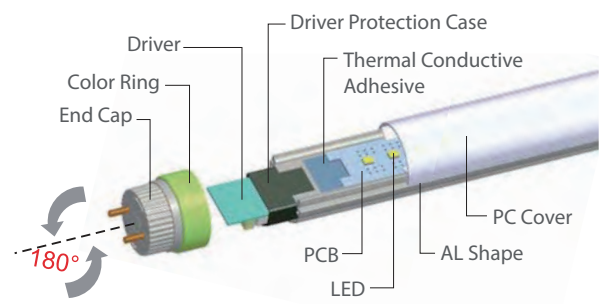
• Product Picture



• Dimension



• Explosion drawing



• Technical / Electrical Characters (at TA=25°C)

Item	Symbol	General :95-105LM/W						Permium:120-130LM/W						Deluxe : 140-150LM/W					
Dimension	W	L=60CM	L=120CM	L=150CM			L=60CM	L=120CM	L=150CM			L=60CM	L=120CM	L=150CM					
Rated Power	/	10W	18W	20W	22W	25W	30W	10W	18W	20W	22W	25W	30W	10W	18W	20W	22W	25W	30W
LED Type /Qty	SMD2835	72pcs	144pcs	168pcs	180pcs	192pcs	216pcs	72pcs	144pcs	168pcs	180pcs	192pcs	216pcs	72pcs	144pcs	168pcs	180pcs	192pcs	216pcs
Luminous Flux	Clear	typ. 1050	typ. 1900	typ. 2100	typ. 2300	typ. 2600	typ. 3150	typ. 1300	typ. 2350	typ. 2600	typ. 2850	typ. 3250	typ. 3900	typ. 1500	typ. 2700	typ. 3000	typ. 3300	typ. 3750	typ. 4500
	Frosted	typ. 950	typ. 1700	typ. 1900	typ. 2100	typ. 2350	typ. 2850	typ. 1200	typ. 2150	typ. 2400	typ. 2650	typ. 3000	typ. 3600	typ. 1400	typ. 2500	typ. 2800	typ. 3100	typ. 3500	typ. 4200
Power Factor	PF	PF>0.95																	
Color Temperature	TC (K)	WW: 2500-4000K, NW: 4000-5000K PW: 5000-6000K, CW: >6000K																	
Beam Angle	Degree	120 degree																	
LED forwarder current	mA	Constant 45mA																	
Input Voltage	V	AC100-277V/50Hz																	
Working Voltage	V	Constant DC36-40V																	
Housing material	/	Aluminum +PC																	
Socket / Diameter	/	Rotatable G13/ D26mm																	
Protection Class	IP	IP20																	
Temperature	°C	Operation : -10°C~+40°C									Storage: -30°C~+60°C								
Life Span	h	50,000 hours																	
Warranty	/	5 years																	

• ErP Technical Specification

Item	Symbol	Specification / Data		
Color Index	CRI	Ra>80 , R9>0		
Luminous Efficacy	Lm/W	General :95-105LM/W	Permium:120-130LM/W	Deluxe : 140-150LM/W
Color consistency in level	/	Max. 6SDCM		
THD	%	<15%		
Starting Time	S	<0.5S		
Switching Cycle before Failure	/	>200,000 times		
Premature failure rate @1000h	/	0		
Lumen Maintenance @ 6000h	%	>80%		



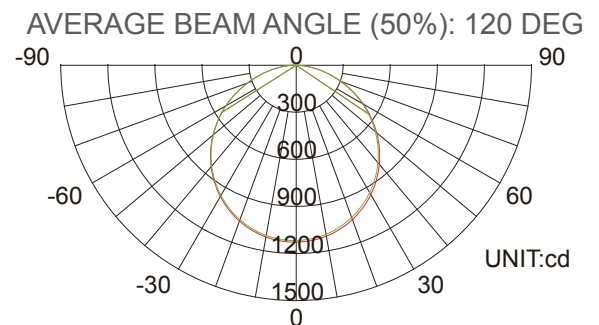
• Product code policy

T8 XX -XX X XX - X X X X X- XXX

01 02 03 04 05 06 07 08 09 10 11

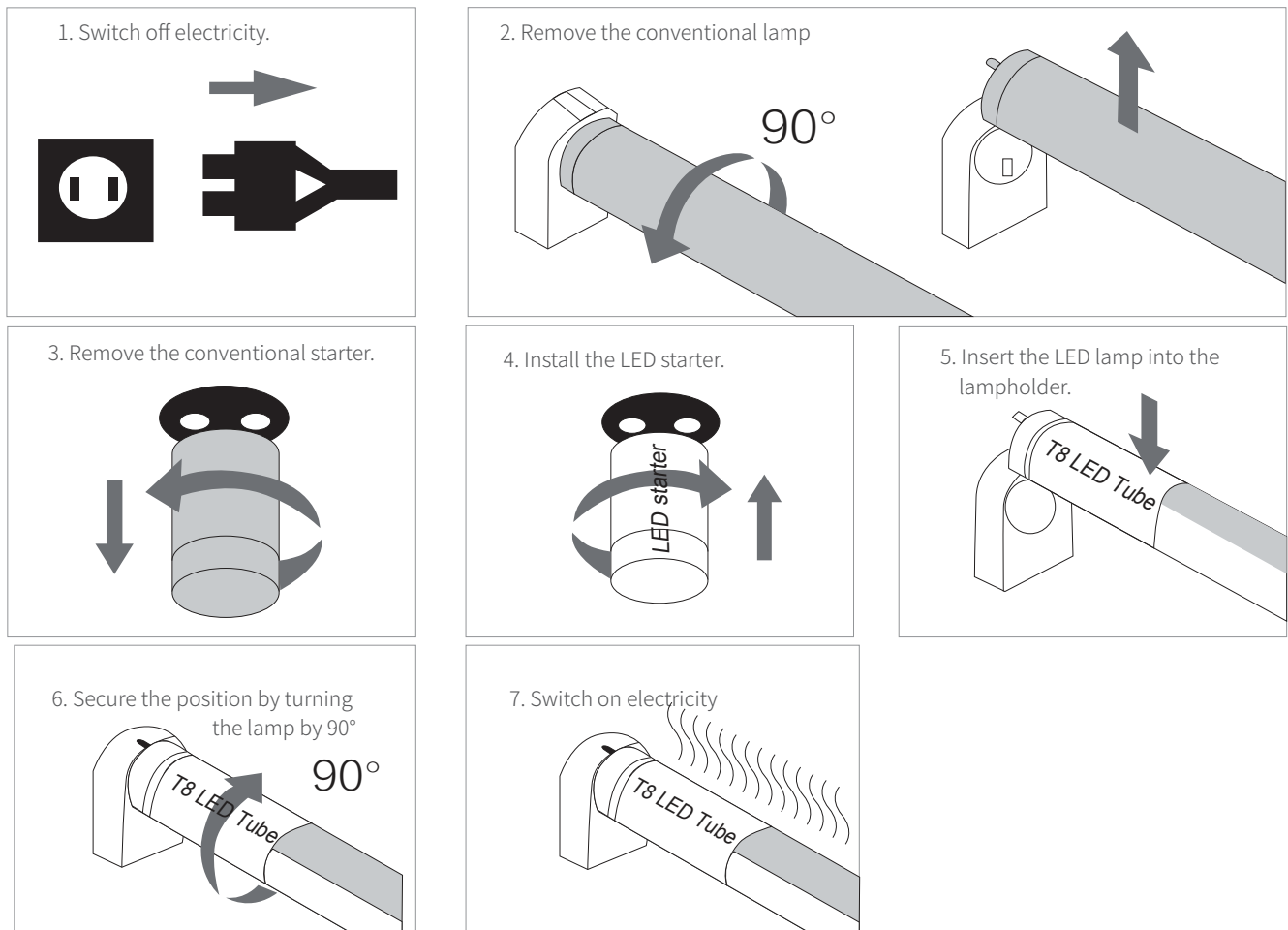
01. Product category: T8: T8 Tube
02. Product dimension: eg: 04:120cm/4ft
03. Rated power: eg: 10: 10W; 30: 30W
04. Luminous Efficacy: G:General 95-105LM/W
05. Color Temperature: eg:N1: 4000~4500K
06. Product version: D: D version shape
07. Structural function: M:Milky cover
08. Electrical function:N:ON-OFF
- 09.Power attribute:6:AC100-277V Flicker power drive
- 10.Power supply manufacturer
- 11.Series No.: 001-499.

• Photometry Curve

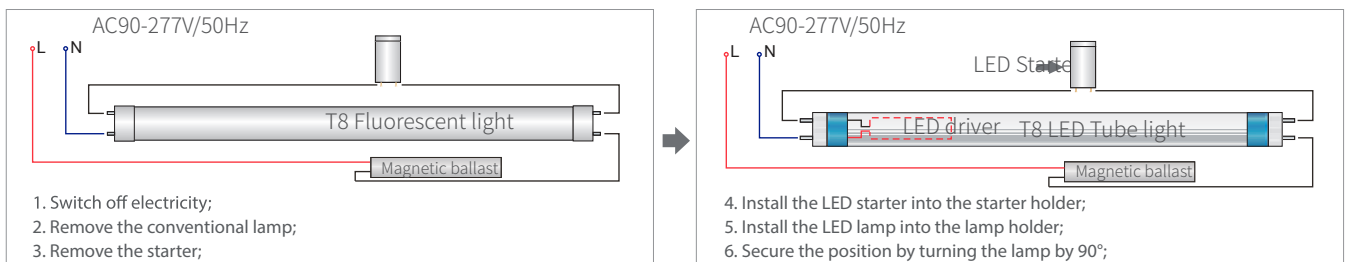


• Installation instructions

Schematic steps of removing a fluorescent lamp and inserting a double-capped LED lamp.



• Wiring diagram



• Package

Product Type	Rated Power	Inner Box	Outer Carton	Qty/Carton	Unit N.W	G.W/Carton
L=600mm/2ft	10W	650 x 35 x 31mm	665 x 195 x 175mm	25Pcs	210g	7.0Kg
L=1200mm/4ft	18W/20W	1260 x 35 x 31mm	1275 x 195 x 175mm	25Pcs	380g	12.5Kg
L=1500mm/5ft	22W/25W/30W	1560 x 35 x 31mm	1575 x 195 x 175mm	25Pcs	440g	14.2Kg

! CAUTION

- ✗ In case of electric shock, please make sure the power is off before installation.
- ✗ The lamp should be installed and operated by a qualified electrician or technician in accordance with relevant local codes.
- ✗ Do not use sharp tools near or on the surface of the lamp.
- ✗ Unpack and examine the product carefully. Report any damage and save all packing materials if any portion of the product was damaged during transportation.