

# Polo Suspend Linear Light



## • Product Features

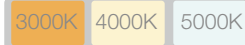
- > Various of functions for options
- > High lumen output at 105LM/W
- > Easy Installation
- > Flicker free & 5years warranty
- > Available in black, white and grey
- > Up and Down luminous function
- > Separate control of the up and Down, non-interference
- > The power supply and other built-in components are fixed on the gear tray



## • Options

- > Emitting color :
  - Tri-Color
- > Function:
  - F1:ON-OFF
  - F2: ON-OFF + EM
  - F3: ON-OFF + MS
  - F4: ON-OFF + EM +MS
  - F5: 1-10V Dimmable
  - F6: 1-10V Dimmable + EM
- > Installation : Suspension

Tri-color



1~10V  
dimming

## • Applications

- > Replacement for normal battens
- > Education light : Classrooms
- > Office Light : Offices, Conference Rooms
- > Commercial Light : Supermarkets, Shopping malls

## • Certifications



## • Data sheet

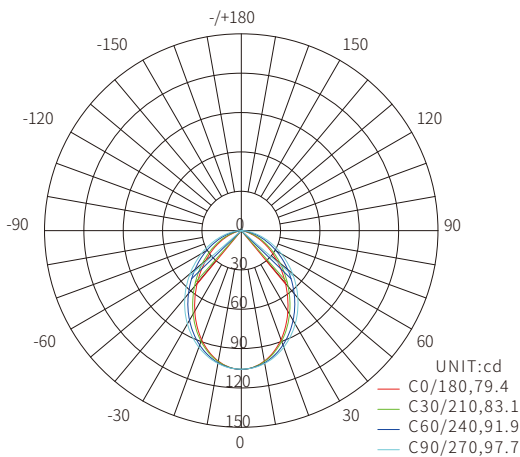
Product Name	Rated Power	Lumen Output	Lumen Efficacy	Color Index	Color	AC Input	Power Factor
120CM-36W Suspend Linear	36W	3780LM	105LM/W	Ra>80	Tri color	AC200-240V	PF>0.95
120CM-50W Suspend Linear	50W	5250LM	105LM/W	Ra>80	Tri color	AC200-240V	PF>0.95
150CM-50W Suspend Linear	50W	5250LM	105LM/W	Ra>80	Tri color	AC200-240V	PF>0.95



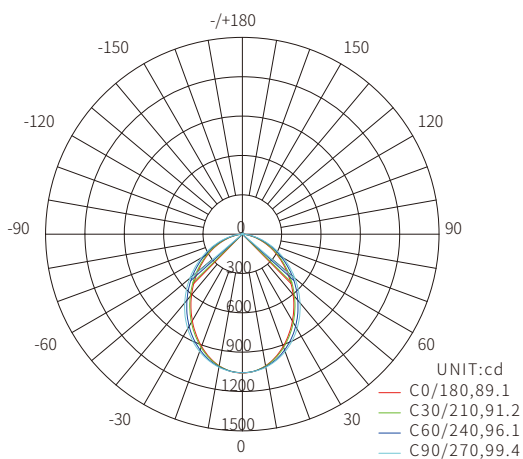
## • ErP Technical Specification

Item	Specification / Data	Item	Specification / Data
Color Index	Ra>80 , R9>0	Power factor	>0.95
Beam Angle	100 degree	Efficiency in	>89%
UGR	Up Light: UGR<13 / Down Light: UGR>19	Energy efficiency Class	E
Color Temperature	Tri-Color	Standard deviation of color matching	<5
Dimming Function	ON/OFF , 1~10V Dimming	Starting Time	<0.5S
LED current	Constant 60mA	Warm-up time to 60%	<0.5S
Input Voltage	AC200~240V/50Hz	Rated nominal Lifetime	>50,000 hours
Working Voltage	Constant DC36-42V	Lumen Maintenance at e.o.l.	>80%
Housing material	AL + PC	LED Device Lifetime	L80/B10@50,000 hours
Temperature	Operation:-15°C~+50°C, Storage:-25°C~+55°C	Switching Cycle before Failure	>100,000 times
Protection Class	IP20	Color consistency in level	Max. 5SDCM
Warranty	5 years	Pst LM/SVM	<0.5 / <0.2

## • Photometry Curve



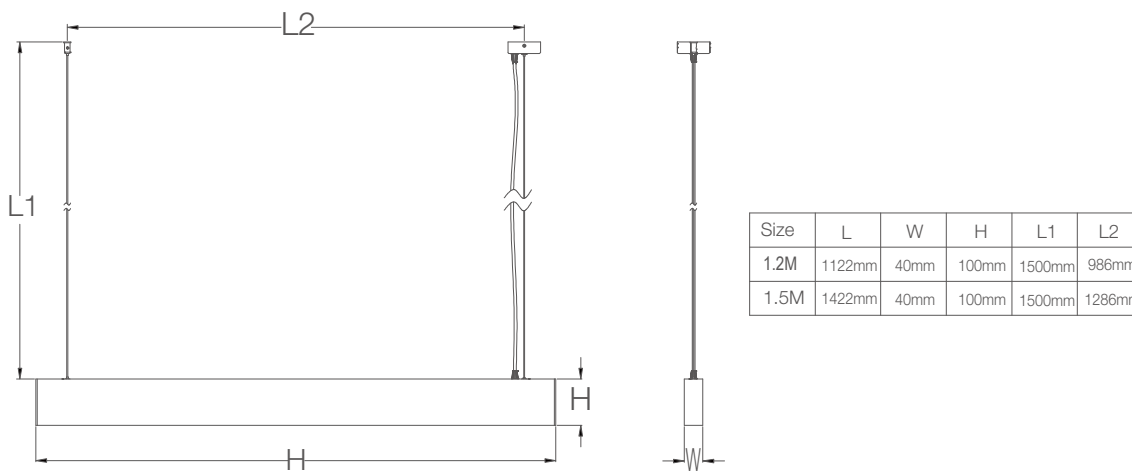
AVERAGE BEAM ANGLE(50%):88.0 DEG



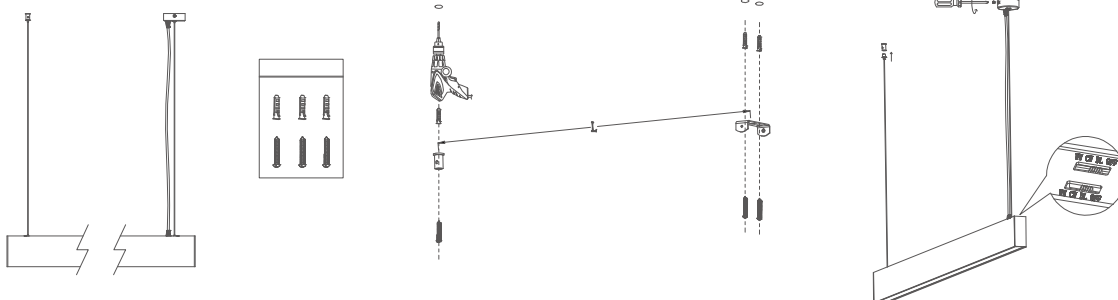
AVERAGE BEAM ANGLE(50%):94.0 DEG

## • Installation Instructions

### 1. Product Size



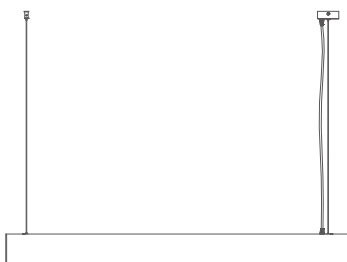
### 2. Mounting Procedure



1. Open the package, there is a whole lamp and a Screw accessories package inside; As shown in the picture above:

2. Install the ceiling lamp accessories on the ceiling; As shown in the picture above:

3. Connect the wires, then tighten the screws; As shown in the picture above:



4. installation is completed, the lamp can work normally; As shown in the picture above:

### Notice

- ※ All electrical work must be undertaken by a qualified contractor to ensure compliance with latest edition BS 7671 and IEE/IET wiring regulations
- ※ Before installing and LED low bay or doing any maintenance, ensure power supply is turned off at the circuit breaker or fuse box
- ※ This product is designed for permanent connection to fixed wiring; the circuit should be protected with the appropriate MCB or fuse
- ※ Unpack and examine the product carefully. Report any damage and save all packing materials if any portion of the product was damaged during transportation.