

CANNES

PMMA LED cooler lighting fixture



Via Leonardo da Vinci, 24/A Corsico (MI), 20094 - Tel. 02 95 327 303



Features

- The quadrant lighting fixture can be adapted to any corner elegantly.
- IP54 rating with PMMA extrusion.
- Food display versions are available.
- Different configurations available upon request.
- Max length available: 2530mm.

Specifications / data per meter

Electrical

Power	9.6W / 14.4W (HB)
Input voltage	12V / 24V DC
Consumption	14.4W (Max)

LED

Type	2835
QTY	120 pcs
CCT	2700K-6500K
CRI	>80 Ra

Light Output

Beam angle	120°
Efficiency	110-120 Lm/W
Lumen	1050 Lm (Clear) 960 Lm (Frosted)

Food Display Versions

Meat:	CCT-Pink
Fish:	CCT-10000K
Vegetable & Fruit:	CRI>97 Ra

Working Temperature

-25°C / -35°C ~ +45°C

IP Rating

IP54

Appearance

Material	PMMA
Dimensions	L1030 x W10 x H10 mm
Max length	2530 mm
Diffuser	Clear / Frosted

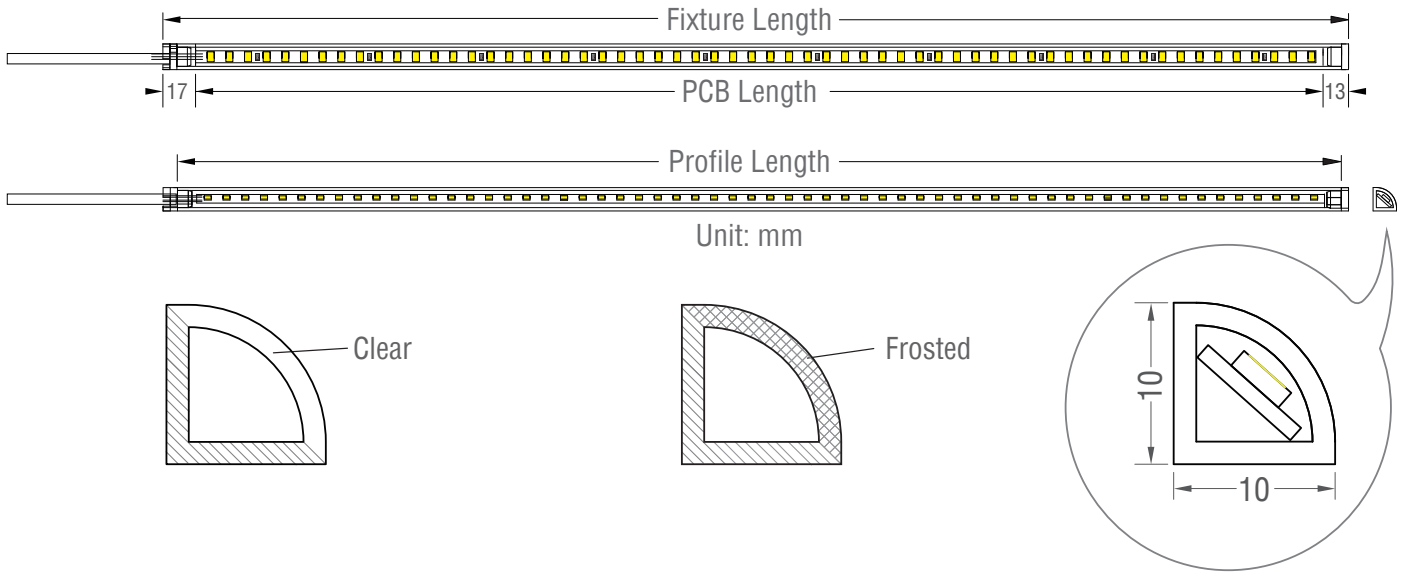
Accessories

Spring steel clips / Magnet clips / Magnetic tape

Wire Exit

Linear + 90° x 3 ways out

Mechanical Structure



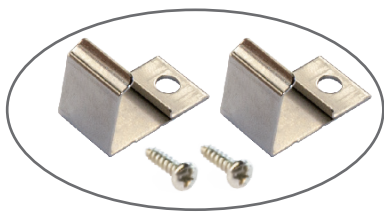
• Light fixture length rules

Fixture Length (mm)	Profile Length (mm)	PCB Length (mm)
130	121	100
180	171	150
230	221	200
280	271	250
330	321	300
380	371	350
430	421	400
480	471	450
530	521	500
580	571	550
630	621	600
680	671	650
730	721	700

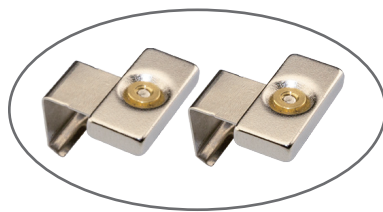
Fixture Length (mm)	Profile Length (mm)	PCB Length (mm)
780	771	750
830	821	800
880	871	850
930	921	900
980	971	950
1030	1021	1000
1080	1071	1050
...		
1530	1521	1500
...		
2030	2021	2000
...		
2530	2521	2500

Installation

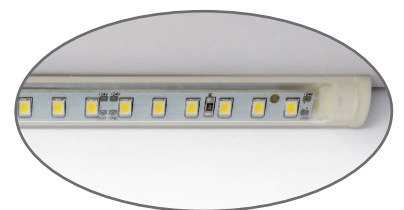
• Mounting



Clip with screws

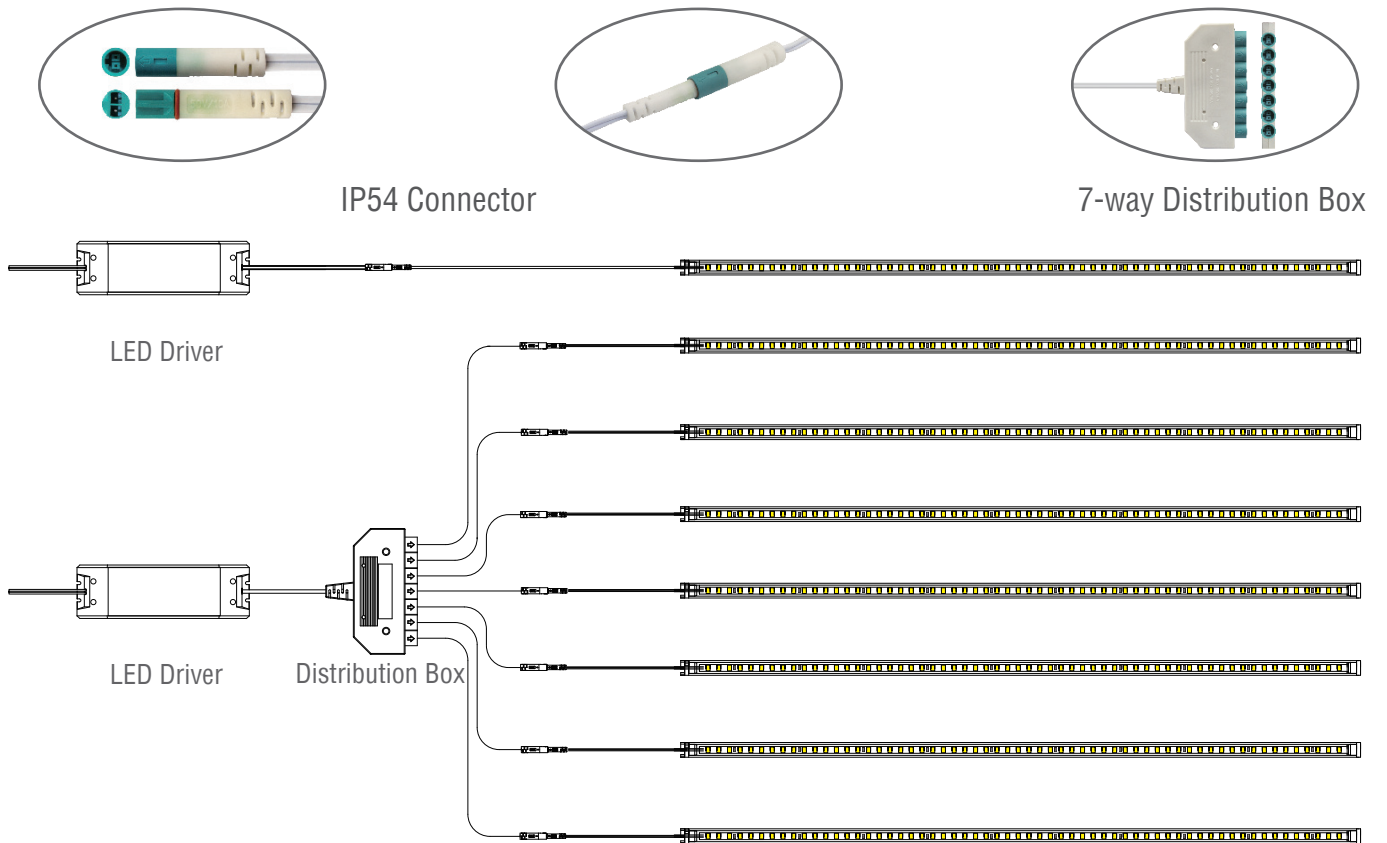


Clip with magnet



Magnetic strip

Connection Diagram



Applications

